

transport spécial national et international
levage - manutention - entreposage

FRIDERICI
SPECIAL 

route du Molliau
CH - 1131 TOLOCHENAZ

tél. +41 (0)21 804 94 94
fax +41 (0)21 804 94 10

www.friderici.com

GRUE 300

LIEBHERR

LTM 1300 6.2

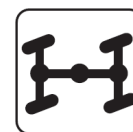
Camion grue télescopique

Teleskop - Mobilkran

1



300 tonnes



12 x 10 x 12



78 mètres

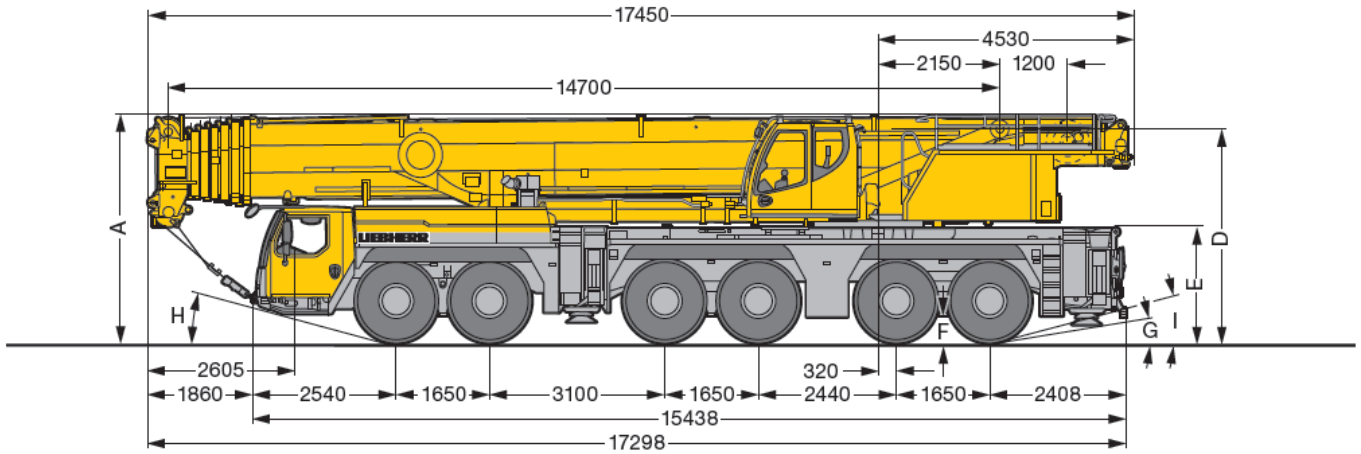


78 mètres

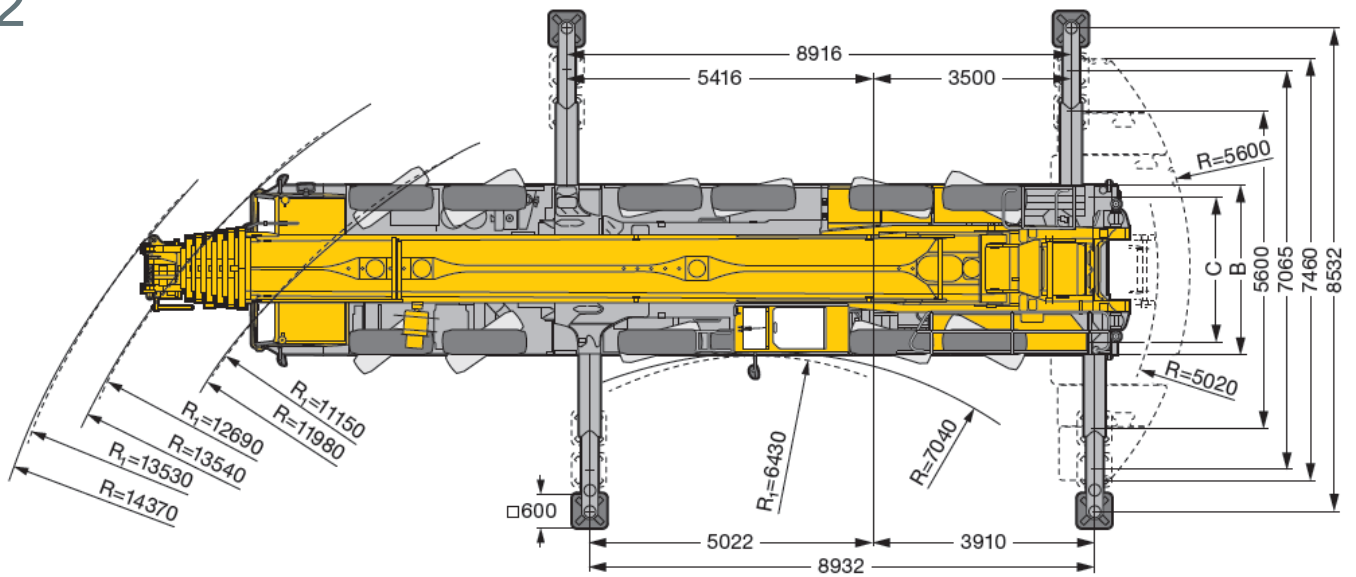


72 tonnes


DIMENSIONS - ABMESSUNGEN



2



LTM 1300 6.2

	Maße · Dimensions · Encombrement · Dimensioni · Dimensiones · Размеры mm									
	A	A	B	C	D	E	F	G	H	I
385/95 R 25 (14.00 R 25)	3950	3825 125 mm*	3000	2610	3685	1960	350	8°	12°	14°

CARACTERISTIQUES - DATEN



Forces de levage Traglast	Poulies Rollen	Poids Gewicht	Brins Einscherung
183 t	12	3400 kg	17
156 t	7	1500 kg	14
125 t	5	1600 kg	11
80 t	3	1450 kg	7
36.2 t	1	1000 kg	3
12.2t	-	500 kg	1

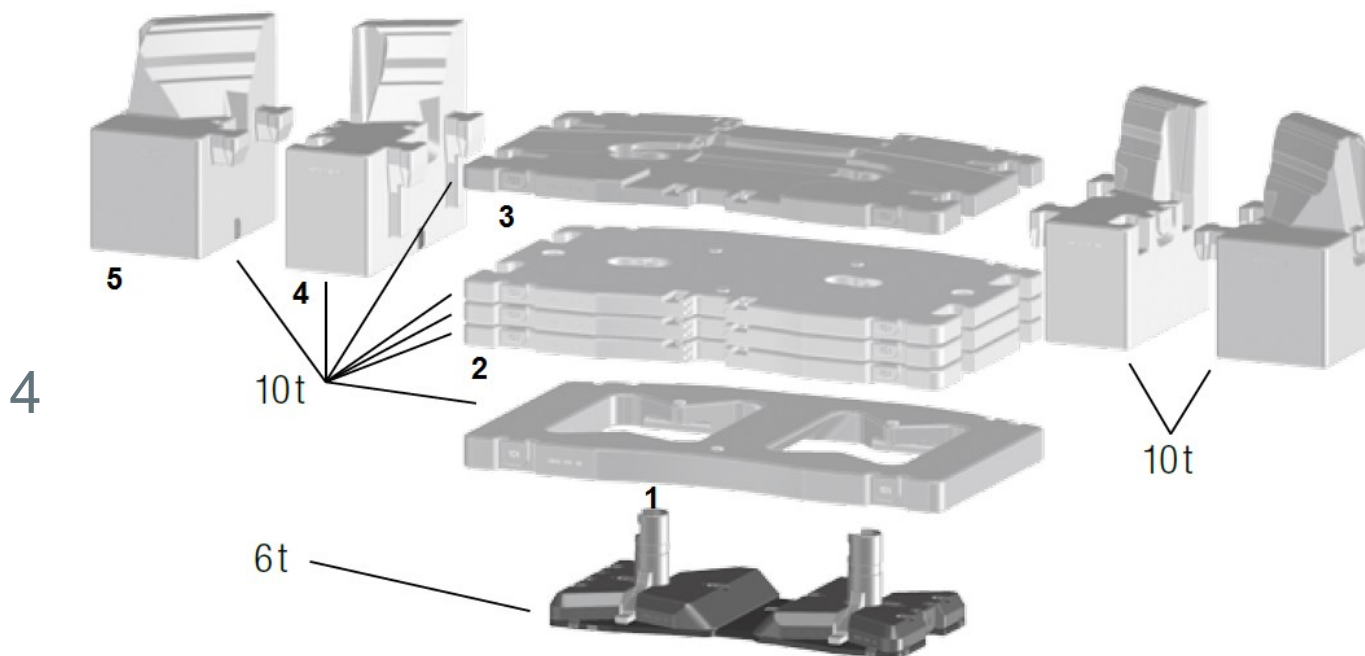
3



LTM 1300 6.2

CAPACITES DE LEVAGE - TRAGLASTEN

CONFIGURATIONS DE CONTREPOIDS GEGENGEWICHTSVARIANTEN

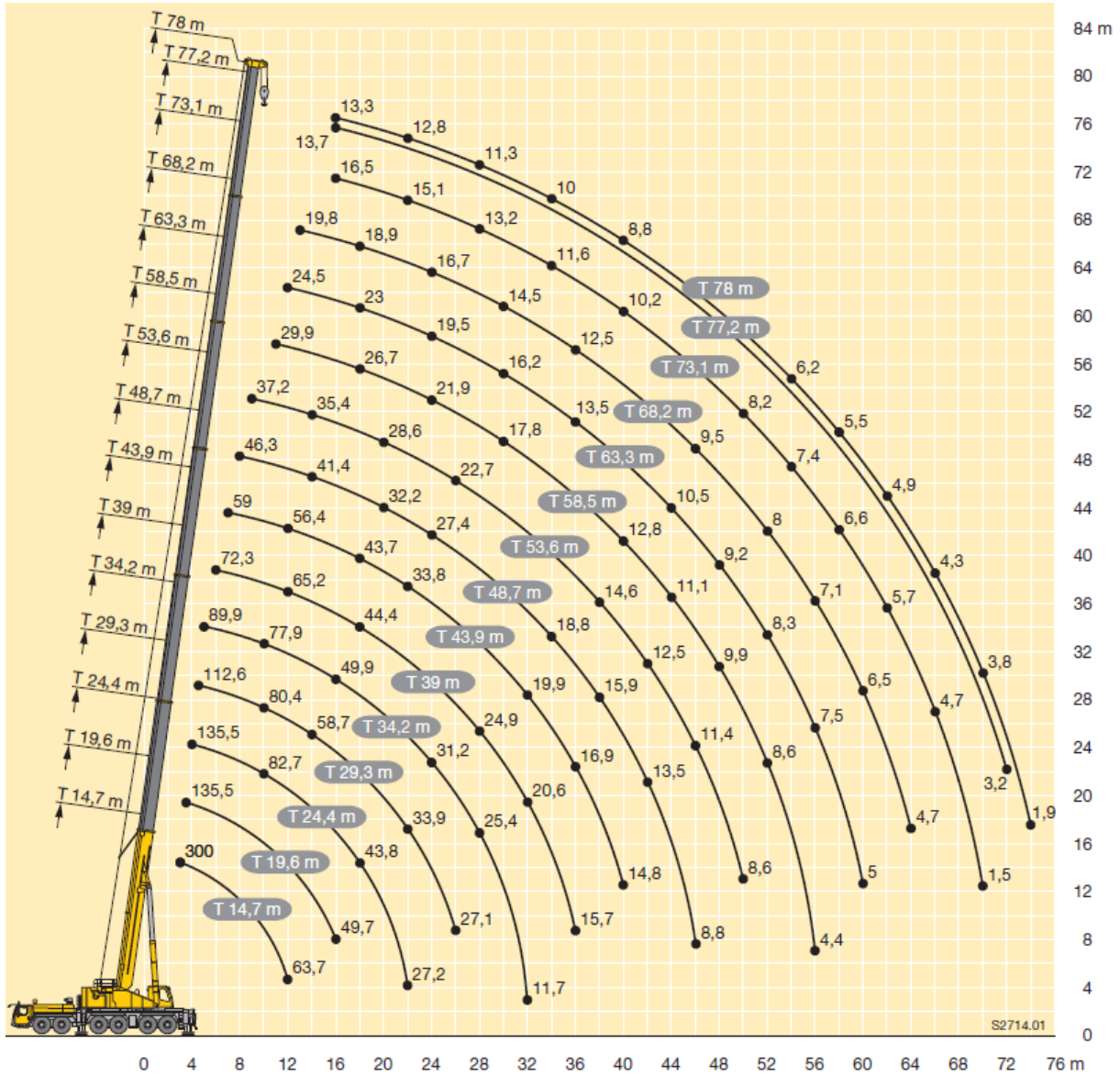


LTM 1300 6.2

Configuration de lest	1 (6+10 t) 1x	2 (10 t) 3x	3 (10 t) 1x	4 (10 t) 2x	5 (10 t) 2x
16 t	√				
26 t	√	√ x 1			
36 t	√	√ x 2			
46 t	√	√ x 3			
56 t	√	√ x 3	√		
66 t	√	√ x 2	√	√ x 2	
76 t	√	√ x 3	√	√ x 2	
86 t	√	√ x 2	√	√ x 2	√ x 2
96 t	√	√ x 3	√	√ x 2	√ x 2

CAPACITES DE LEVAGE - TRAGLASTEN

FLECHE PRINCIPALE TELESKOPPAUSLEGER



CAPACITES DE LEVAGE - TRAGLASTEN

FLECHE PRINCIPALE // TELESKOPPAUSLEGER



6

	14.7 m	19.6 m	24.4 m	29.3 m	34.2 m	39 m	43.9 m	48.8 m	53.6 m	58.5 m	63.3 m	68.2 m	73.1 m	77.2 m	78.0 m	
3.0	135.5															3.0
3.5	135.5	135.5														3.5
4.0	135.5	135.5	135.5													4.0
4.5	135.5	135.5	135.5	112.6												4.5
5.0	135.5	135.0	129.6	112.2	89.9											5.0
6.0	126.0	124.0	117.3	110.1	89.1	72.3										6.0
7.0	112.6	113.3	106.9	101.7	87.7	71.6	59									7.0
8.0	100.3	101.2	98.5	93.2	86.3	70.9	58.6	46.3								8.0
9.0	90.1	91.0	90.8	86.3	83.2	70.1	58.1	46.1	37.2							9.0
10.0	81.5	82.4	82.6	80.4	77.9	69.2	57.7	45.8	37.1							10.0
11.0	74.0	74.8	75.2	74.8	72.9	68.2	57.2	45.6	37	29.9						11.0
12.0	63.7	68.3	68.6	68.4	68.4	65.2	56.4	44.5	36.6	29.7	24.5					12.0
14.0		57.9	57.6	58.6	58.3	57.5	54.4	41.4	35.4	29.2	24.2	19.8				14.0
16.0		49.6	50.4	50.4	49.9	49.3	49.7	38	33.3	28.3	23.8	19.5	16.5	13.7	13.3	16.0
18.0			43.8	43.8	43.4	44.4	43.7	35	30.8	26.7	23	18.9	16.1	13.6	13.3	18.0
20.0			38.4	38.4	37.9	39	38.3	32.2	28.6	25	21.9	18.3	15.6	13.3	13.1	20.0
22.0			27.2	33.9	34.7	34.5	33.8	29.7	26.4	23.4	20.7	17.5	15.1	12.9	12.8	22.0
24.0				30.2	31.2	30.7	30.1	27.4	24.5	21.9	19.5	16.7	14.5	12.4	12.3	24.0
26.0				27	28.1	27.6	26.9	25.4	22.6	20.4	18.4	16	13.8	11.9	11.8	26.0
28.0					25.4	24.9	24.2	23.3	21.1	19.1	17.2	15.2	13.2	11.4	11.3	28.0
30.0					23.2	22.6	21.9	21.2	19.6	17.8	16.2	14.5	12.7	10.9	10.8	30.0
32.0					11.7	20.6	19.9	19.7	18.2	16.7	15.2	13.8	12.1	10.4	10.4	32.0
34.0						18.9	18.1	18.8	17	15.6	14.3	13.1	11.6	10	10	34.0
36.0						15.7	16.9	17.3	15.6	14.6	13.5	12.5	11.1	9.6	9.5	36.0
38.0							16.3	15.9	14.6	13.7	12.7	11.8	10.6	9.2	9.2	38.0
40.0							14.8	14.6	13.7	12.8	11.9	11.2	10.2	8.8	8.8	40.0
45.0								11	11.6	10.8	10.2	9.7	9.2	8	7.9	45.0
50.0									8.6	9.1	8.7	8.5	8.2	7.1	6.9	50.0
55.0										6.9	7.7	7.2	7.2	6.4	6	55.0
60.0											5	6.5	6.2	5.7	5.2	60.0
65.0												3.2	4.9	5	4.4	65.0
70.0													1.5	4	3.8	70.0
74.0															1.9	74.0

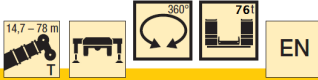


LTM 1300 6.2

	14.7 m	19.6 m	24.4 m	29.3 m	34.2 m	39 m	43.9 m	48.8 m	53.6 m	58.5 m	63.3 m	68.2 m	73.1 m	77.2 m	78.0 m	
3.0	135.5															3.0
3.5	135.5	135.5														3.5
4.0	135.5	135.5	135.5													4.0
4.5	135.5	135.5	135.5	112.6												4.5
5.0	135.5	135.0	129.6	112.2	89.9											5.0
6.0	125.2	124.0	117.3	110.1	89.1	72.3										6.0
7.0	110.8	111.6	106.9	101.7	87.7	71.6	59									7.0
8.0	98.5	99.4	98.5	93.2	86.3	70.9	58.6	46.3								8.0
9.0	88.2	89.2	89.3	86.3	83.2	70.1	58.1	46.1	37.2							9.0
10.0	79.5	80.4	80.6	80.2	77.9	69.2	57.7	45.8	37.1							10.0
11.0	71.6	72.6	72.9	72.6	72.7	68.2	57.2	45.6	37	29.9						11.0
12.0	63.7	65.8	66.1	66.7	66.8	64.9	56.4	44.5	36.6	29.7	24.5					12.0
14.0		55.8	56.5	56.6	56.1	55.3	54.4	41.4	35.4	29.2	24.2					14.0
16.0		47.6	48.3	48.4	47.9	48.7	47.5	38	33.3	28.3	23.8	19.5	16.2	13.7	13.3	16.0
18.0			41.7	41.7	41.5	42.3	41.5	35	30.8	26.7	23	18.9	16.1	13.6	13.3	18.0
20.0			36.4	36.4	37.4	37	36.3	32.2	28.6	25	21.9	18.3	15.6	13.3	13.1	20.0
22.0			27.2	32.1	33.1	32.7	32	29.7	26.4	23.4	20.7	17.5	15.1	12.9	12.8	22.0
24.0				29.6	29.6	29.1	28.4	27.3	24.5	21.9	19.5	16.7	14.5	12.4	12.3	24.0
26.0				26.7	26.6	26.1	25.4	24.7	22.6	20.4	18.4	16	13.8	11.9	11.8	26.0
28.0					24	23.5	22.8	22.5	21.1	19.1	17.2	15.2	13.2	11.4	11.3	28.0
30.0					21.8	21.2	20.5	20.7	19.4	17.8	16.2	14.5	12.7	10.9	10.8	30.0
32.0					11.7	19.3	18.5	19.3	17.5	16.7	15.2	13.8	12.1	10.4	10.4	32.0
34.0						17.5	17.7	17.5	16.4	15.6	14.3	13.1	11.6	10	10	34.0
36.0						15.7	16.7	15.9	15.1	14.4	13.5	12.5	11.1	9.6	9.5	36.0
38.0							15.4	14.6	13.7	13	12.7	11.8	10.6	9.2	9.2	38.0
40.0							14.2	13.3	12.7	12.3	11.8	11.2	10.2	8.8	8.8	40.0
45.0								11	11.2	10	9.8	9.7	9.2	8	7.9	45.0
50.0									8.6	8.9	8.3	8.1	8.1	7.1	6.9	50.0
55.0										6.9	7.3	7.1	6.4	6.4	6	55.0
60.0											5	5.7	5	5.1	5	60.0
65.0												3.2	3.8	3.9	3.8	65.0
70.0													1.5	2.9	2.8	70.0
74.0															1.9	74.0

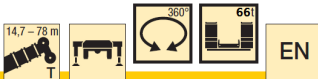
CAPACITES DE LEVAGE - TRAGLASTEN

FLECHE PRINCIPALE // TELESKOPPAUSLEGER



	14.7 m	19.6 m	24.4 m	29.3 m	34.2 m	39.0 m	43.9 m	48.8 m	53.6 m	58.5 m	63.3 m	68.2 m	73.1 m	77.2 m	78.0 m	
m	m														m	
3.0	135.5															3.0
3.5	135.5	135.5														3.5
4.0	135.5	135.5	135.5													4.0
4.5	135.5	135.5	135.5	112.6												4.5
5.0	135.5	135.0	129.6	112.2	89.9											5.0
6.0	124.4	123.6	117.3	110.1	89.1	72.3										6.0
7.0	109.3	110.0	106.9	101.7	87.7	71.6	59									7.0
8.0	96.9	97.8	97.6	93.2	86.3	70.9	58.6	46.3								8.0
9.0	86.5	87.4	87.6	86.3	83.2	70.1	58.1	46.1	37.2							9.0
10.0	77.1	78.1	78.4	78.1	77.9	69.2	57.7	45.8	37.1							10.0
11.0	69.3	70.3	70.6	71.2	71.3	67.7	57.2	45.6	37	29.9						11.0
12.0	62.7	64.4	65.1	65.1	64.7	62.7	56.4	44.5	36.6	29.7	24.5					12.0
14.0		53.6	54.4	54.5	54	53.6	52.5	41.4	35.4	29.2	24.2	19.8				14.0
16.0		45.4	46.1	46.1	45.7	46.8	45.3	38	33.3	28.3	23.8	19.5	16.5	13.7	13.3	16.0
18.0			39.7	39.7	40.7	40.4	39.5	35	30.8	26.7	23	18.9	16.1	13.6	13.3	18.0
20.0			34.7	34.9	35.7	35.2	34.5	32.2	28.6	25	21.9	18.3	15.6	13.3	13.1	20.0
22.0			27.2	31.7	31.5	31	30.3	29.3	26.4	23.4	20.7	17.5	15.1	12.9	12.8	22.0
24.0				28.1	27.9	27.4	26.7	26.1	24.5	21.9	19.5	16.7	14.5	12.4	12.3	24.0
26.0				24.9	24.7	24.2	23.5	23.3	22.5	20.4	18.4	16	13.8	11.9	11.8	26.0
28.0					22.1	21.6	21	21.6	20	19.1	17.2	15.2	13.2	11.4	11.3	28.0
30.0					19.8	19.3	19.4	19.3	18.4	17.7	16.2	14.5	12.7	10.9	10.8	30.0
32.0					11.7	17.4	18.1	17.4	16.5	15.8	15.2	13.8	12.1	10.4	10.4	32.0
34.0						16.4	16.4	15.6	14.8	14.6	14.1	13.1	11.6	10	10	34.0
36.0						15.5	15	14.2	13.8	13.5	12.7	12.5	11.1	9.6	9.5	36.0
38.0							13.7	12.9	13.2	12.2	11.8	11.7	10.6	9.2	9.2	38.0
40.0							12.5	11.9	12.1	11	11.1	10.6	10.2	8.8	8.8	40.0
45.0								10.5	9.6	9.8	8.9	9.1	8.7	8	7.9	45.0
50.0									8.5	7.8	7.7	7.4	6.7	6.9	6.7	50.0
55.0										6.9	6.3	5.8	5.1	5.3	5.1	55.0
60.0											4.9	4.5	3.8	3.9	3.8	60.0
65.0												3.2	2.8	2.9	2.8	65.0
70.0													1.5	2	1.9	70.0
72.0														1.6	1.5	72.0

7



	14.7 m	19.6 m	24.4 m	29.3 m	34.2 m	39 m	43.9 m	48.8 m	53.6 m	58.5 m	63.3 m	68.2 m	73.1 m	77.2 m	78.0 m	
m	m														m	
3.0	135.5															3.0
3.5	135.5	135.5														3.5
4.0	135.5	135.5	135.5													4.0
4.5	135.5	135.5	135.5	112.6												4.5
5.0	135.5	135.0	129.6	112.2	89.9											5.0
6.0	122.1	122.5	117.3	110.1	89.1	72.3										6.0
7.0	107.1	108.0	106.9	101.7	87.7	71.6	59									7.0
8.0	94.5	95.4	95.7	93.2	86.3	70.9	58.6	46.3								8.0
9.0	83.3	84.3	84.6	84.3	82.9	70.1	58.1	46.1	37.2							9.0
10.0	74.2	75.2	75.5	76.4	75.5	69.2	57.7	45.8	37.1							10.0
11.0	66.6	68.2	68.8	69	68.4	65.4	57.2	45.6	37	29.9						11.0
12.0	59.8	61.5	62.3	62.3	61.9	59.5	56.3	44.5	36.6	29.7	24.5					12.0
14.0		50.8	51.6	51.6	51.2	52	49.7	41.4	35.4	29.2	24.2	19.8				14.0
16.0		42.9	43.6	43.7	44.7	44.3	42.8	38	33.3	28.3	23.8	19.5	16.5	13.7	13.3	16.0
18.0			37.4	38.2	38.5	38	37	34.7	30.8	26.7	23	18.9	16.1	13.6	13.3	18.0
20.0			31.8	33.1	33	32.5	31.7	30.8	28.6	25	21.9	18.3	15.6	13.3	13.1	20.0
22.0			27.2	28.7	28.5	28	27.2	27	25.6	23.4	20.7	17.5	15.1	12.9	12.8	22.0
24.0				25	24.8	24.3	23.8	24	22.9	21.5	19.5	16.7	14.5	12.4	12.3	24.0
26.0				22.1	21.9	21.4	21.7	21.4	20.5	19.2	18.3	16	13.8	11.9	11.8	26.0
28.0					19.4	19	19.8	18.9	18.1	17.5	16.7	15.2	13.2	11.4	11.3	28.0
30.0					17.4	18	17.6	16.8	16	16.1	14.8	14.5	12.7	10.9	10.8	30.0
32.0					11.7	16.4	15.9	15.1	15.2	14.4	13.9	13.4	12.1	10.4	10.4	32.0
34.0						14.9	14.3	13.7	14	12.9	13	12	11.6	10	10	34.0
36.0						13.5	13	13	12.6	12.1	11.9	11.1	11	9.6	9.5	36.0
38.0							11.8	12.2	11.4	11.5	10.7	10.6	10.1	9.2	9.2	38.0
40.0							11.1	11.1	10.5	10.4	10	9.9	9.2	8.8	8.8	40.0
45.0								8.8	8.9	8.4	8.2	7.7	7.1	7	6.9	45.0
50.0									7.1	6.9	6.4	5.9	5.3	5.4	5.3	50.0
55.0										5.5	4.9	4.5	3.8	3.9	3.8	55.0
60.0											3.8	3.3	2.6	2.7	2.6	60.0
65.0												2.3	1.6	1.7	1.6	65.0

LTM 1300 6.2

CAPACITES DE LEVAGE - TRAGLASTEN

FLECHE PRINCIPALE // TELESKOPPAUSLEGER



	14.7 m	19.6 m	24.4 m	29.3 m	34.2 m	39.0 m	43.9 m	48.8 m	53.6 m	58.5 m	63.3 m	68.2 m	73.1 m	77.2 m	78.0 m	
3.0	135.5															3.0
3.5	135.5	135.5														3.5
4.0	135.5	135.5	135.5													4.0
4.5	135.5	135.5	135.5	112.6												4.5
5.0	135.5	135.0	129.6	112.2	89.9											5.0
6.0	119.8	120.7	117.3	110.1	89.1	72.3										6.0
7.0	104.5	105.4	105.6	101.7	87.7	71.6	59									7.0
8.0	90.9	92.0	92.4	91.8	86.3	70.9	58.6	46.3								8.0
9.0	80.0	81.2	81.3	82.1	80.2	70.1	58.1	46.1	37.2							9.0
10.0	70.8	72.6	73.4	73.4	71.7	68.4	57.7	45.8	37.1							10.0
11.0	62.9	64.6	65.5	65.5	64.7	61.8	57.2	45.6	37	29.9						11.0
12.0	56.4	58.1	58.9	58.9	58.5	58.1	55.4	44.5	36.6	29.7	24.5					12.0
14.0		47.9	48.7	48.7	49.7	48.8	46	41.4	35.4	29.2	24.2	19.8				14.0
16.0		39.1	40	41.3	41.3	40.7	38.5	36.2	33.3	28.3	23.8	19.5	16.5	13.7	13.3	16.0
18.0			33.7	34.5	34.3	33.9	32.7	31.4	29.5	26.7	23	18.9	16.1	13.6	13.3	18.0
20.0			28.8	29.1	29	28.5	27.9	27.7	26	24.3	21.9	18.3	15.6	13.3	13.1	20.0
22.0			24.7	25	24.8	24.3	24.6	24.4	22.8	21.4	20.2	17.5	15.1	12.9	12.8	22.0
24.0				21.7	21.5	21.5	22	21.1	19.9	19.4	18	16.7	14.5	12.4	12.3	24.0
26.0				19.1	18.9	19.8	19.2	18.4	18	17.1	16.3	15.5	13.8	11.9	11.8	26.0
28.0					17.2	17.6	17	16.4	16.6	15.3	15	13.9	13.2	11.4	11.3	28.0
30.0					15.9	15.7	15.1	15.1	14.8	14.3	13.5	12.8	12.4	10.9	10.8	30.0
32.0					11.7	14.1	13.6	13.9	13.2	13.3	12.3	12	11.4	10.4	10.4	32.0
34.0						12.7	12.7	12.5	12.2	11.9	11.6	10.9	10.2	9.8	9.7	34.0
36.0						11.5	11.8	11.3	11.4	10.6	10.7	9.9	9.1	8.9	8.7	36.0
38.0							10.8	10.2	10.3	10	9.6	8.9	8.1	8	7.8	38.0
40.0							9.8	9.6	9.3	9.2	8.6	8	7.2	7.1	7	40.0
45.0								7.7	7.3	7.1	6.5	6	5.4	5.3	5.2	45.0
50.0									5.7	5.4	4.9	4.4	3.7	3.8	3.7	50.0
55.0										4.2	3.6	3.1	2.4	2.5	2.4	55.0
60.0											2.5	2				60.0
65.0																65.0

8




	14.7 m	19.6 m	24.4 m	29.3 m	34.2 m	39.0 m	43.9 m	48.8 m	53.6 m	58.5 m	63.3 m	68.2 m	73.1 m	77.2 m	78.0 m	
3.0	135.5															3.0
3.5	135.5	135.5														3.5
4.0	135.5	135.5	135.5													4.0
4.5	135.5	135.5	135.5	112.6												4.5
5.0	134.7	134.2	129.6	112.2	89.9											5.0
6.0	117.0	118.0	117.1	110.1	89.1	72.3										6.0
7.0	100.6	101.6	101.9	100.3	87.7	71.6	59									7.0
8.0	87.2	88.3	88.7	88.0	85.7	70.9	58.6	46.3								8.0
9.0	76.0	77.9	78.5	78.7	75.8	69.8	58.1	46.1	37.2							9.0
10.0	66.7	68.5	69.4	69.4	67.2	64.6	57.7	45.8	37.1							10.0
11.0	59.2	60.9	61.8	61.8	59.3	58.3	54.5	45.6	37	29.9						11.0
12.0	52.6	54.6	55.5	55.5	54.9	51.9	48.7	44.2	36.6	29.7	24.5					12.0
14.0		42.5	43.6	45.2	44.5	42.2	39.6	37.8	35.3	29.2	24.2	19.8				14.0
16.0		34.3	35.7	36.2	36	35.1	33.2	31.8	30.5	28.1	23.8	19.5	16.5	13.7	13.3	16.0
18.0			29.4	29.8	29.6	29.2	28.7	28	25.9	24.5	22.8	18.9	16.1	13.6	13.3	18.0
20.0			24.7	25.0	24.9	24.9	25.3	24	22.6	21.5	19.8	18.3	15.6	13.3	13.1	20.0
22.0			21.1	21.4	21.2	22.2	21.6	21	20	18.6	17.9	16.9	15.1	12.9	12.8	22.0
24.0				18.5	19.4	19.2	18.7	18.1	18.1	16.9	16.1	15	14.5	12.4	12.3	24.0
26.0				16.1	17	16.8	16.6	16.7	15.9	15.4	14.6	13.9	13.1	11.9	11.8	26.0
28.0					15.1	14.8	15	14.8	14.4	13.8	13.3	12.4	11.6	11.3	11	28.0
30.0					13.4	13.2	13.6	13.1	13.2	12.6	12	11	10.2	10	9.8	30.0
32.0					11.7	12.2	12.1	12	11.7	11.6	10.7	9.8	9	8.8	8.6	32.0
34.0					11.2	10.9	10.9	10.5	10.4	9.5	8.7	7.9	7.9	7.8	7.6	34.0
36.0					10.1	9.8	9.8	9.4	9.2	8.5	7.7	6.9	6.8	6.7	6.7	36.0
38.0						8.8	8.8	8.4	8.2	7.6	6.8	6.1	6	5.8	5.8	38.0
40.0						8	7.9	7.5	7.3	6.7	6	5.3	5.2	5.1	5.1	40.0
45.0							6.1	5.6	5.4	4.8	4.4	3.7	3.6	3.5	3.5	45.0
50.0								4.2	3.9	3.4	2.9	2.2	2.3	2.2	2.2	50.0
55.0										2.8	2.2	1.7				55.0

LTM 1300 6.2

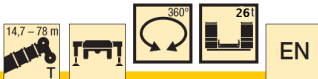
CAPACITES DE LEVAGE - TRAGLASTEN

FLECHE PRINCIPALE // TELESKOPPAUSLEGER



	14.7 m	19.6 m	24.4 m	29.3 m	34.2 m	39.0 m	43.9 m	48.8 m	53.6 m	58.5 m	63.3 m	68.2 m	73.1 m	77.2 m	78.0 m	
3.0	135.5															3.0
3.5	135.5	135.5														3.5
4.0	135.5	135.5	135.5													4.0
4.5	135.5	135.5	135.5	112.6												4.5
5.0	132.4	133.0	129.6	112.2	89.9											5.0
6.0	113.3	114.5	114.6	108.9	89.1	72.3										6.0
7.0	96.5	97.5	97.8	95.9	87.5	71.6	59									7.0
8.0	82.6	84.5	84.3	84.1	78.5	70.6	58.6	46.3								8.0
9.0	71.5	73.4	74.1	71.8	67.1	65.4	58.1	46.1	37.2							9.0
10.0	62.5	64.4	65.1	61.7	60.4	56.6	52.8	45.8	37.1							10.0
11.0	53.5	55.9	56.6	55.6	52.9	49.7	46.4	44	37	29.9						11.0
12.0	45.3	47.7	48.9	49.3	46.8	44.1	41.5	39.2	36.1	29.7	24.5					12.0
13.0		41.9	43.3	43.8	41.8	39.6	37.9	35.8	33.9	29.5	24.3	19.8				13.0
14.0		36.6	38.2	38.7	37.7	35.6	34.2	33.1	30.6	28.3	24.2	19.8				14.0
16.0		28.9	30.3	30.8	30.6	30.1	29.6	27.5	26.3	24.7	22.6	19.5	16.5	13.7	13.3	16.0
18.0			24.7	25.2	25	26.1	25	23.5	22.4	21.2	20.1	18.5	16.1	13.6	13.3	18.0
20.0			20.6	21	22	21.9	21.3	20.5	19.8	18.7	17.5	16.6	15.6	13.3	13.1	20.0
22.0			17.5	18.5	18.8	18.6	18.5	18.5	17.4	16.5	15.8	14.7	13.8	12.9	12.8	22.0
24.0				16.1	16.2	16	16.5	16	15.7	14.9	13.9	12.8	11.9	11.6	11.4	24.0
26.0				14.0	14.1	14.6	14.3	14.3	13.8	13.2	12.2	11.2	10.3	10	9.8	26.0
28.0					12.4	12.8	12.6	12.6	12.3	11.7	10.7	9.7	8.9	8.7	8.5	28.0
30.0					11	11.4	11.2	11.2	10.8	10.3	9.4	8.5	7.7	7.5	7.4	30.0
32.0					9.8	10.1	9.9	9.9	9.4	9.1	8.2	7.4	6.6	6.5	6.3	32.0
34.0						8.9	8.7	8.7	8.3	8.1	7.2	6.4	5.7	5.6	5.4	34.0
36.0						8	7.7	7.7	7.3	7.1	6.3	5.6	4.8	4.8	4.6	36.0
38.0							6.8	6.8	6.4	6.1	5.5	4.8	4.1	4	3.9	38.0
40.0							6.1	6	5.6	5.4	4.8	4.1	3.3	3.3	3.2	40.0
42.0								5.3	4.9	4.6	4.1	3.5	2.7	2.7	2.6	42.0
44.0								4.7	4.2	4	3.4	2.9	2.1	2.1	2	44.0
46.0								4.1	3.7	3.4	2.9	2.4				46.0
48.0									3.2	2.9	2.4	1.9				48.0
50.0									2.7	2.4	1.9					50.0
52.0										2						52.0
54.0										1.6						54.0

9



	14.7 m	19.6 m	24.4 m	29.3 m	34.2 m	39.0 m	43.9 m	48.8 m	53.6 m	58.5 m	63.3 m	68.2 m	73.1 m	77.2 m	78.0 m	
3.0	135.5															3.0
3.5	135.5	135.5														3.5
4.0	135.5	135.5	135.5													4.0
4.5	135.5	135.5	135.5	112.6												4.5
5.0	129.5	130.3	129.3	112.2	89.9											5.0
6.0	108.5	109.7	109.9	104.9	89.1	72.3										6.0
7.0	91.4	92.5	91.8	87.4	80.5	70.8	59									7.0
8.0	77.5	79.5	77.2	71.9	69.1	64.1	57.2	46.3								8.0
9.0	66.1	67.3	64	62.1	58.5	54.5	50.5	45.6	37.2							9.0
10.0	53.7	56.4	54.3	53.4	50.3	47	44.5	41.1	36.7							10.0
11.0	44.1	47.5	48.4	46.4	43.9	41.4	39.3	37.6	34.3	29.9						11.0
12.0	37.0	40.2	41.9	40.8	38.7	37.1	36.1	33.4	31.2	28.9	24.5					12.0
13.0		34.6	36.2	36.3	34.4	33.6	32.3	30.2	28.5	26.7	23.7	19.8				13.0
14.0		30.1	31.6	32.2	31	31.1	29.1	27.2	26.1	24.1	22.5	19.8				14.0
16.0		23.4	24.9	25.3	26.4	25.7	24.6	23.6	22.3	21.3	19.6	18.1	16.4	13.7	13.3	16.0
18.0			20.2	21.4	21.6	21.4	21.1	20.1	19.6	18.5	17.2	15.7	14.7	13.5	13.3	18.0
20.0			16.6	17.8	18	18.3	18.3	17.7	16.9	15.9	14.6	13.3	12.4	12	11.7	20.0
22.0			13.9	15	15.2	15.8	15.5	15.4	14.5	13.7	12.5	11.3	10.5	10.1	9.9	22.0
24.0				12.8	13.1	13.5	13.4	13.3	12.5	11.8	10.7	9.7	8.8	8.6	8.4	24.0
26.0				11.1	11.3	11.7	11.5	11.5	10.8	10.2	9.2	8.2	7.5	7.2	7	26.0
28.0					9.7	10.2	10	9.9	9.4	8.8	7.9	7	6.2	6	5.9	28.0
30.0					8.4	8.8	8.6	8.6	8.2	7.7	6.8	5.9	5.1	5	4.8	30.0
32.0					7.3	7.7	7.5	7.4	7	6.6	5.8	4.9	4.1	4.1	3.9	32.0
34.0						6.7	6.5	6.4	6	5.7	4.9	4.1	3.2	3.2	3.1	34.0
36.0						5.8	5.6	5.5	5.1	4.9	4.1	3.4	2.4	2.4	2.2	36.0
38.0							4.8	4.7	4.3	4.1	3.4	2.7		1.5		38.0
40.0							4.1	4	3.6	3.4	2.7	1.9				40.0
42.0								3.4	3	2.7	2.1					42.0
44.0								2.9	2.4	2.2						44.0
46.0								2.4	1.9	1.6						46.0
48.0									1.5							48.0

LTM 1300 6.2

CAPACITES DE LEVAGE - TRAGLASTEN

FLECHE PRINCIPALE // TELESKOPPAUSLEGER



10

m	14.7 m	19.6 m	24.4 m	29.3 m	34.2 m	39.0 m	43.9 m	48.8 m	53.6 m	58.5 m	63.3 m	68.2 m	73.1 m	77.2 m	78.0 m	m
3.0	135.5															3.0
3.5	135.5	135.5														3.5
4.0	135.5	135.5	135.5													4.0
4.5	135.3	135.5	133.4	112.6												4.5
5.0	125.1	125.4	124.1	110.2	89.9											5.0
6.0	103.2	104.3	97.8	89.5	82.9	71.9										6.0
7.0	85.5	83.5	77.9	72.8	68.3	62.6	56.9									7.0
8.0	68.8	66.1	62.7	60.3	55.9	51.7	48.1	43.9								8.0
9.0	54.0	54.7	53	50.3	47	44.2	42.5	39.2	34.7							9.0
10.0	42.6	45.7	44.9	42.8	40.2	39.4	36.9	34.1	31.8							10.0
11.0	34.7	38.0	38.6	37	35.5	34.7	32.3	29.9	28.7	26.5						11.0
12.0	28.8	31.9	33.5	32.4	32.4	30.6	29.1	27.7	26	24.5	22.1					12.0
13.0		27.3	28.9	28.8	28.7	27.3	26.2	25	24.1	22.2	20.7	18.7				13.0
14.0		23.5	25.2	26.5	25.7	24.4	24.1	23.1	22	20.8	19.1	17.3				14.0
16.0		18.0	19.5	20.8	20.9	20.9	20	19.2	18	17.1	15.6	14	12.9	12.3	12.1	16.0
18.0			15.5	16.8	17.1	17.4	16.5	15.9	14.8	14	12.7	11.3	10.4	9.9	9.7	18.0
20.0			12.5	13.7	14.1	14.5	13.8	13.2	12.3	11.6	10.4	9.2	8.3	8	7.8	20.0
22.0			9.9	11.3	11.6	12	11.6	11.1	10.3	9.7	8.6	7.5	6.6	6.4	6.2	22.0
24.0				9.3	9.6	10.1	9.8	9.4	8.6	8	7.1	6.1	5.1	5.1	4.9	24.0
26.0				7.7	7.9	8.4	8.2	7.9	7.2	6.7	5.8	4.9	3.9	3.9	3.7	26.0
28.0					6.6	7	6.8	6.7	6	5.5	4.6	3.8	2.7	2.8	2.5	28.0
30.0					5.4	5.8	5.7	5.6	4.9	4.5	3.7	2.8	1.6	1.6		30.0
32.0					4.5	4.9	4.7	4.6	4.1	3.6	2.8	1.8				32.0
34.0						4	3.8	3.8	3.3	2.9	1.9					34.0
36.0						3.3	3.1	3	2.6	2.1						36.0
38.0							2.5	2.4	1.9							38.0
40.0								1.9	1.8							40.0

LTM 1300 6.2



m	14.7 m	19.6 m	24.4 m	29.3 m	34.2 m	39.0 m	43.9 m	48.8 m	53.6 m	58.5 m	63.3 m	68.2 m	m
3.0	135.5												3.0
3.5	135.5	135.5											3.5
4.0	135.5	135.5	129.5										4.0
4.5	128.1	125.6	112.0	95.6									4.5
5.0	115.0	104.1	90.7	81.7	74.5								5.0
6.0	77.2	72.1	67.3	61.4	55.4	49.9							6.0
7.0	54.4	53.3	50.7	47.2	45.4	41.7	37.7						7.0
8.0	40.7	41.2	40.1	39.3	36.8	33.9	32.2	29.2					8.0
9.0	31.0	32.5	32.3	32	30.1	29	26.9	25.2	21.1				9.0
10.0	23.7	25.6	26.1	26.2	25.1	24.2	22.5	21.1	19.4				10.0
11.0	18.3	20.6	21.4	21.8	21.1	20.5	19.1	17.9	16.4	15.2			11.0
12.0	13.8	16.8	17.7	18.4	17.9	17.5	16.4	15.4	14.1	13	11.6		12.0
13.0		13.8	14.9	15.7	15.3	15.1	14.1	13.3	12.1	11.2	9.8	8.5	13.0
14.0		11.4	12.5	13.5	13.2	13.1	12.2	11.5	10.4	9.6	8.4	7.2	14.0
16.0		7.3	9.0	10.1	9.9	10	9.3	8.7	7.8	7.1	6	4.9	16.0
18.0			6.3	7.6	7.5	7.7	7.1	6.6	5.8	5.2	4.1	2.7	18.0
20.0				4.2	5.7	5.7	5.9	5.4	5	4.2	3.5	2.2	20.0
22.0				2.7	4.1	4.2	4.4	4	3.6	2.6	2		22.0
24.0					2.6	2.8	3.2	2.5	2.2				24.0
26.0						1.6	1.9						26.0